

For reference only. See data sheet for the detailed specifications.

Technical Specification



Frequency Range(GHz)	18.0 – 54.0	
Gain(dBi)	11 Typ.	
Polarization	Dual Linear	
3dB Beamwidth(deg)	E Plane:	72 - 19
	H Plane:	79 - 27
Cross Pol. Isolation(dB)	35 Typ. ; 20 Min.	
Port to Port Isolation(dB)	40 Typ. ; 30 Min.	
VSWR	1.5:1 Typ.	
	2.0:1 Max.	
Connector	1.85mm-Female or 2.4mm-Female	
Power Handling(W CW)	1.85mm-Female:	5 Max.
	2.4mm-Female:	10 Max.
Material	Al	
Finish	Gold Plated, Gray Paint	
Size(mm)	32.8 x 32.8 x 61.5	
Net Weight(Kg)	0.07 Around	

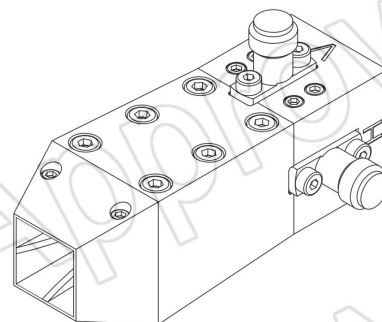
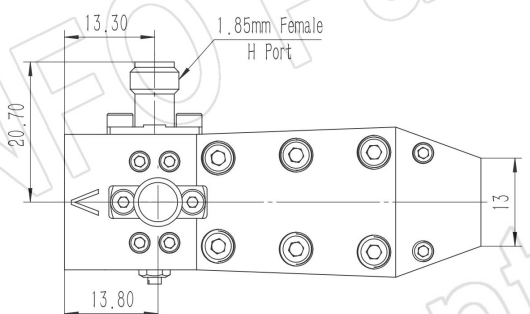
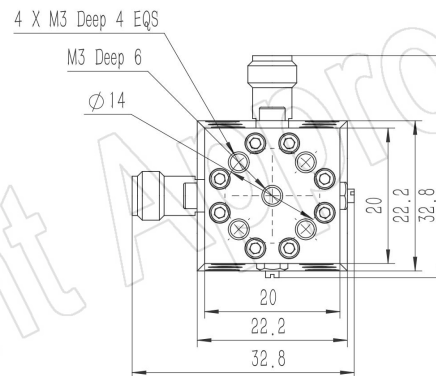
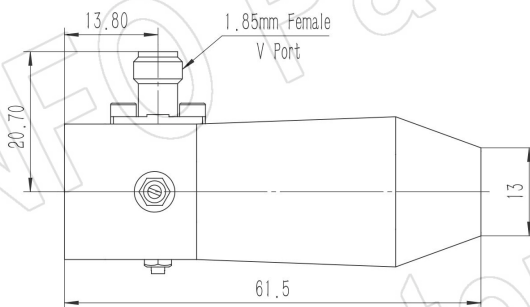
PATENT ID (China)

ZL202110169182.5, ZL202120347852.3, ZL202030751611.6

Outline Drawing (Size: mm)

1.85mm-Female Output (P/N: LB-SJ-180540C-1.85F)

For 2.4mm-Female output outline drawing, please contact A-INFO.



AINFO Inc.

China(Beijing):
China(Chengdu):
USA :

Tel: (+86) 10-6266-7326,
Tel: (+86) 28-8519-2786,
Tel: (+1) 949-639-9688,

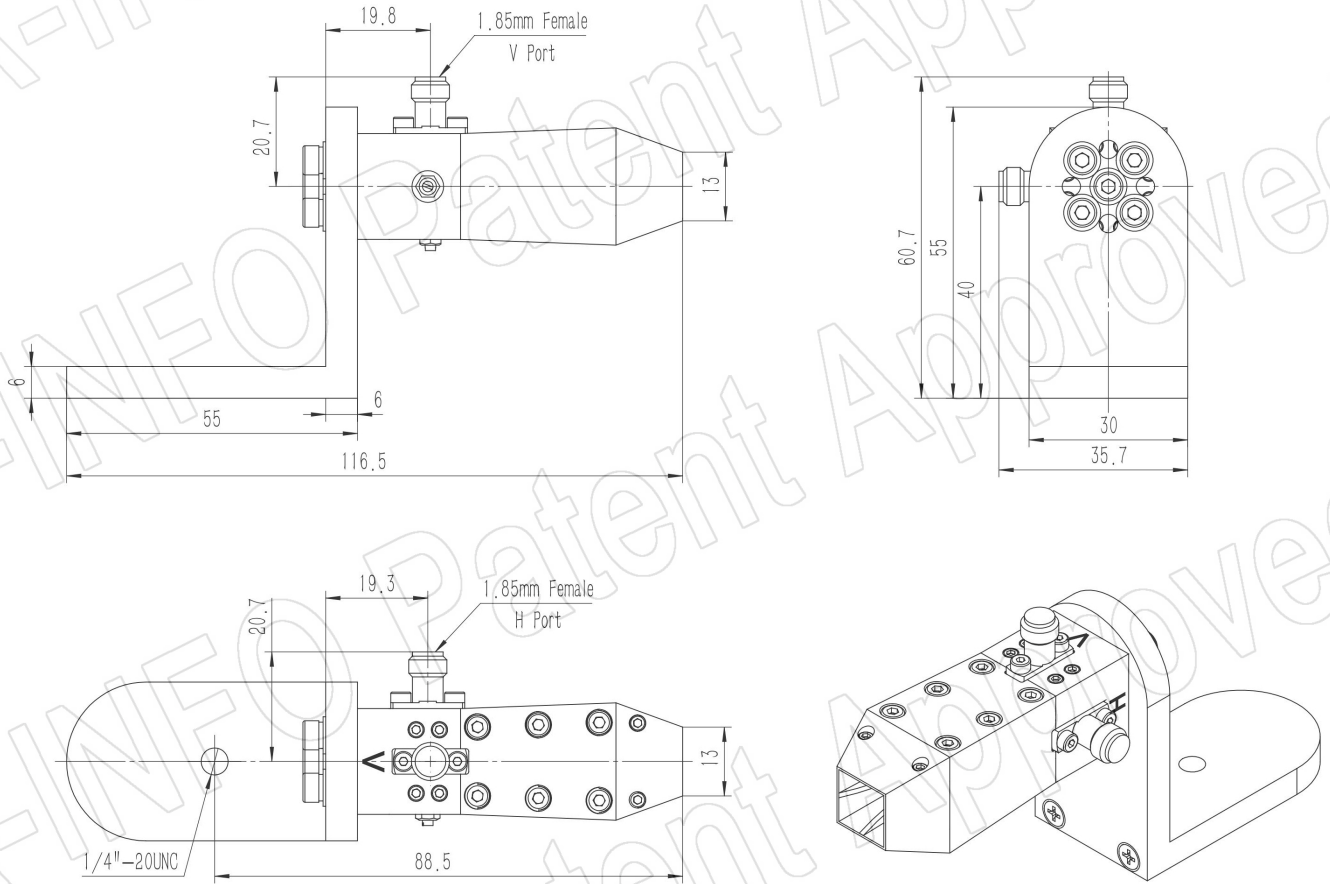
(+86) 10-6266-7327
(+86) 28-8519-3044
(+1) 949-639-9608

Fax: (+86) 10-6266-7379
Fax: (+86) 28-8519-3068
Fax: (+1) 949-639-9670

Website: www.ainfoinc.com
Email: sales@ainfoinc.com

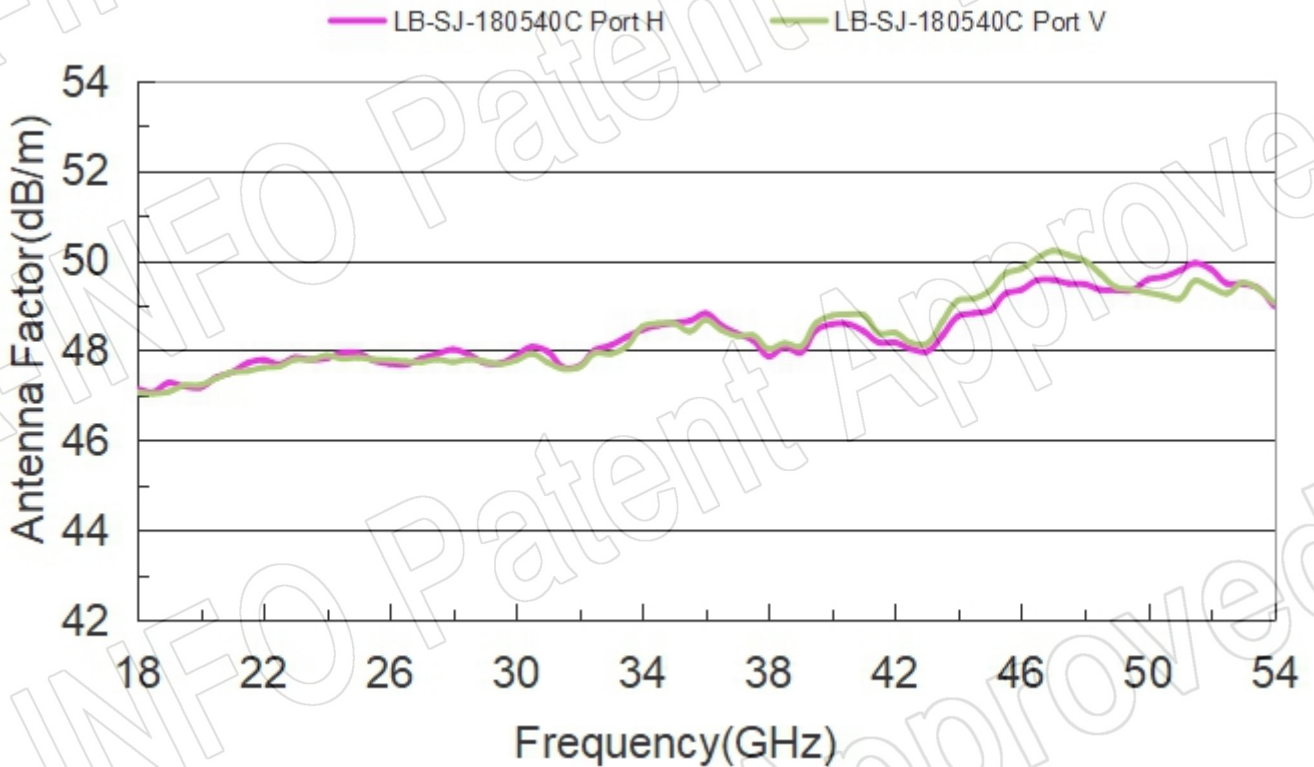
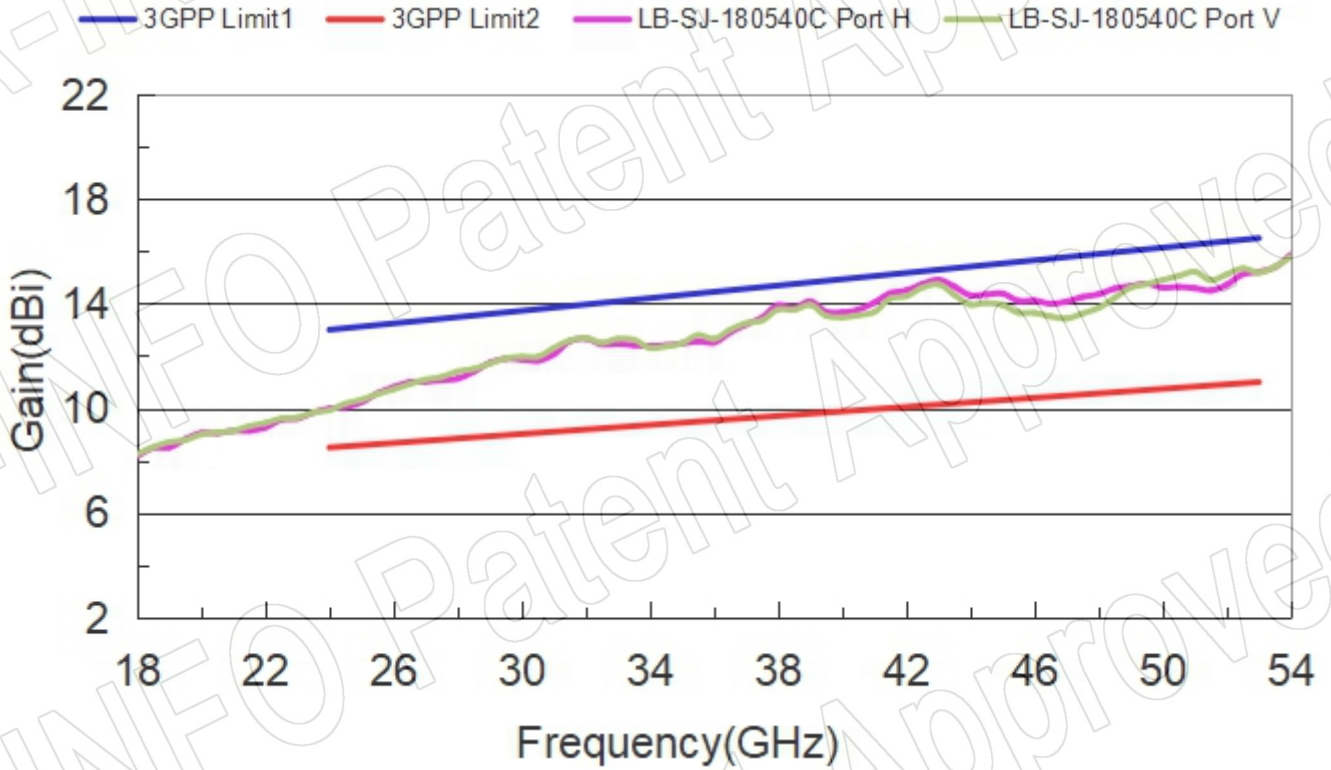
1.85mm-Female Output with L Type Mounting Bracket (Option, P/N: LB-SJ-180400-L)

For 2.4mm-Female output outline drawing, please contact A-INFO.

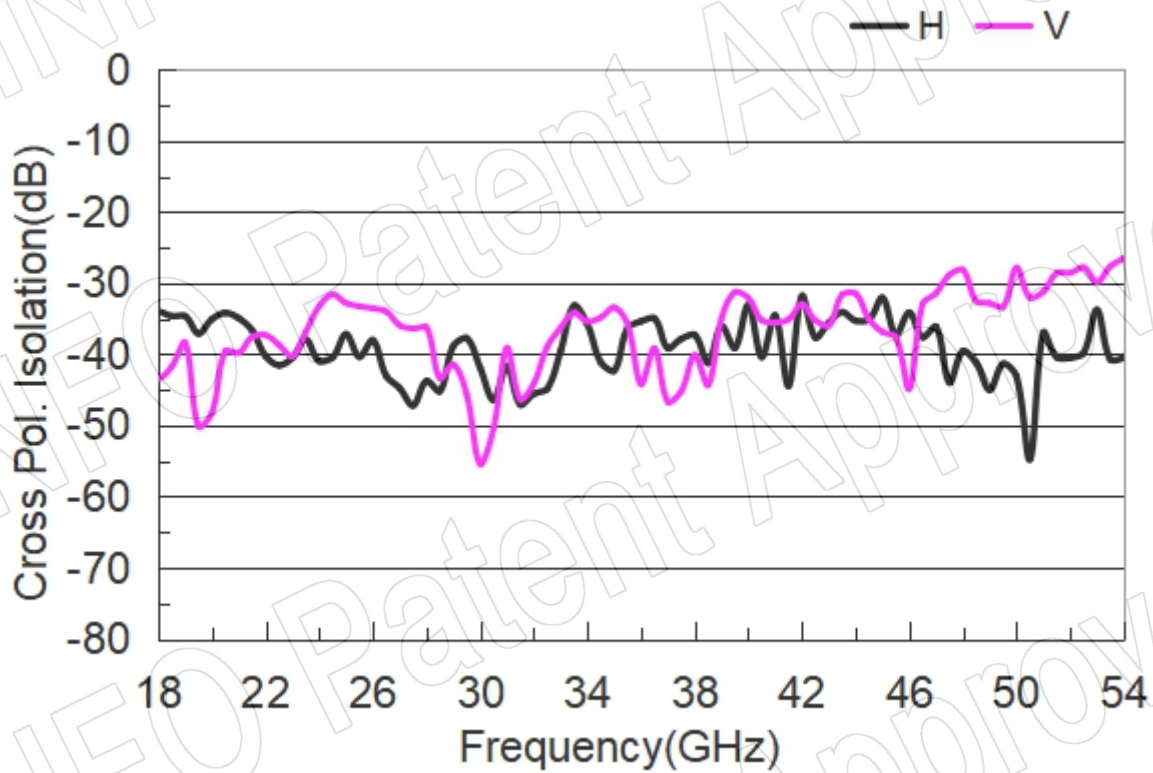


Test Results

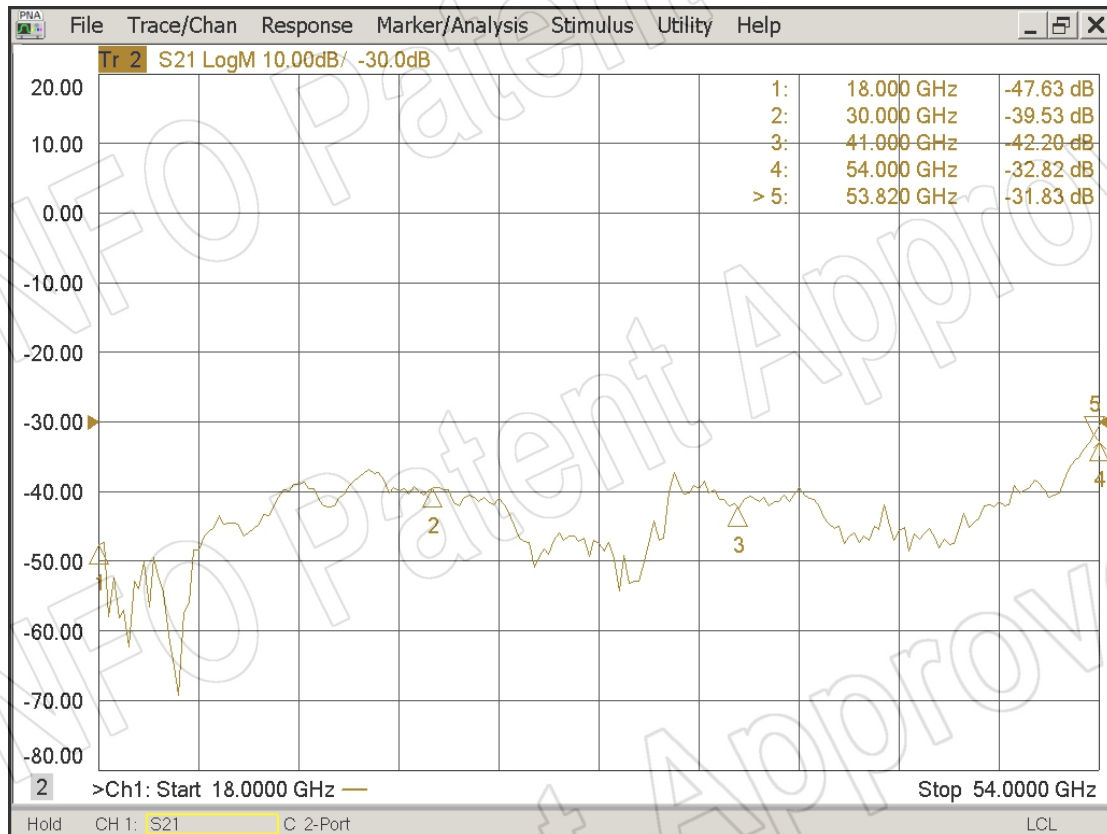
1. Gain & Antenna Factor



2. Cross Polarization Isolation

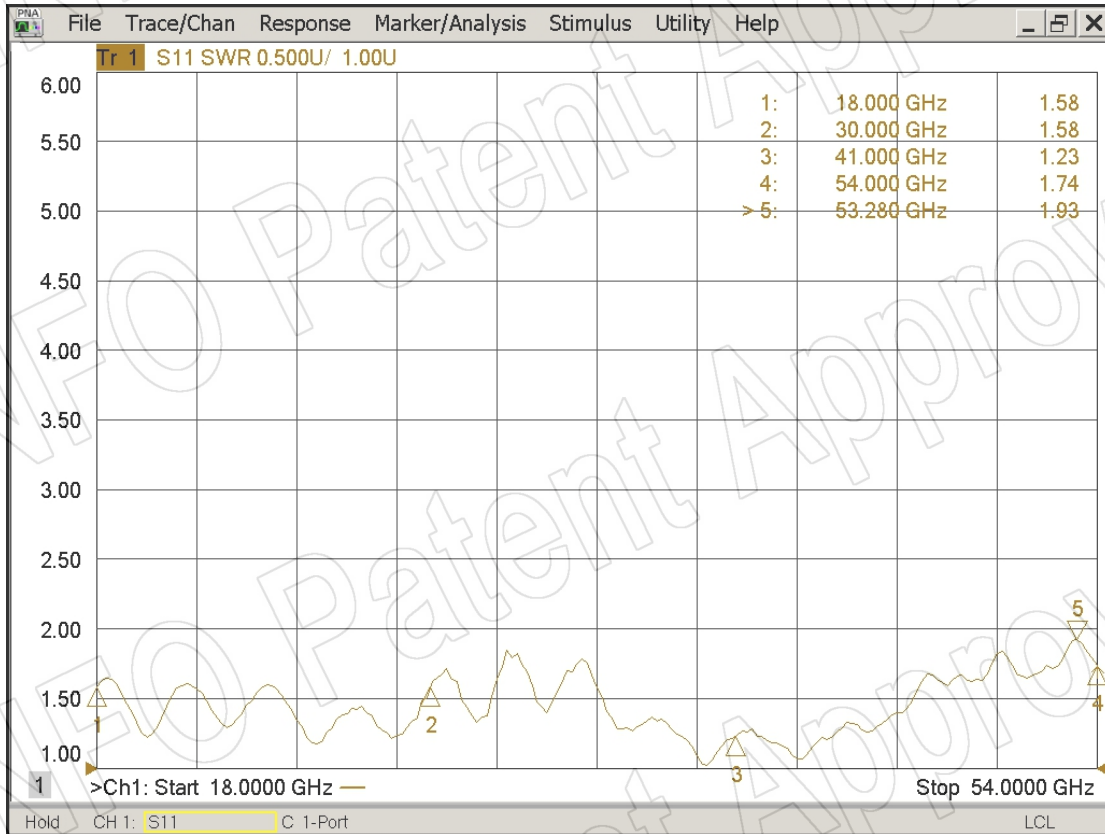


3. Port to Port Isolation

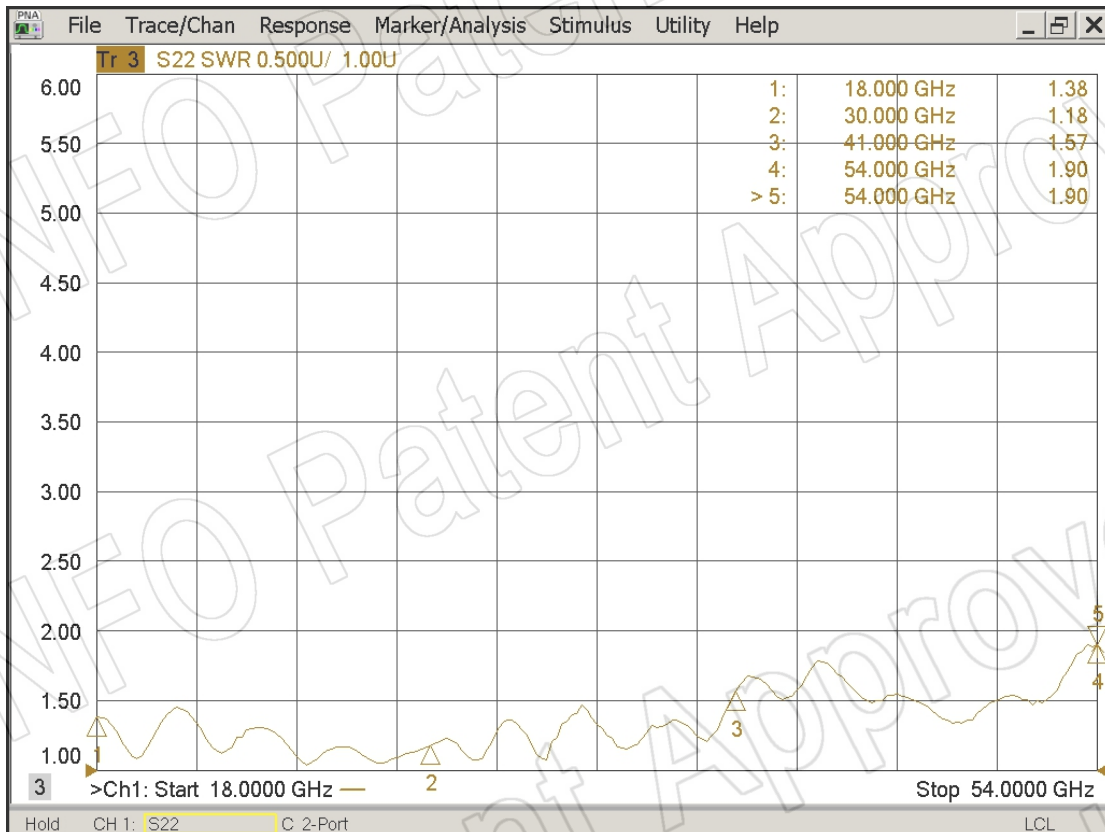


4. VSWR

Port-H

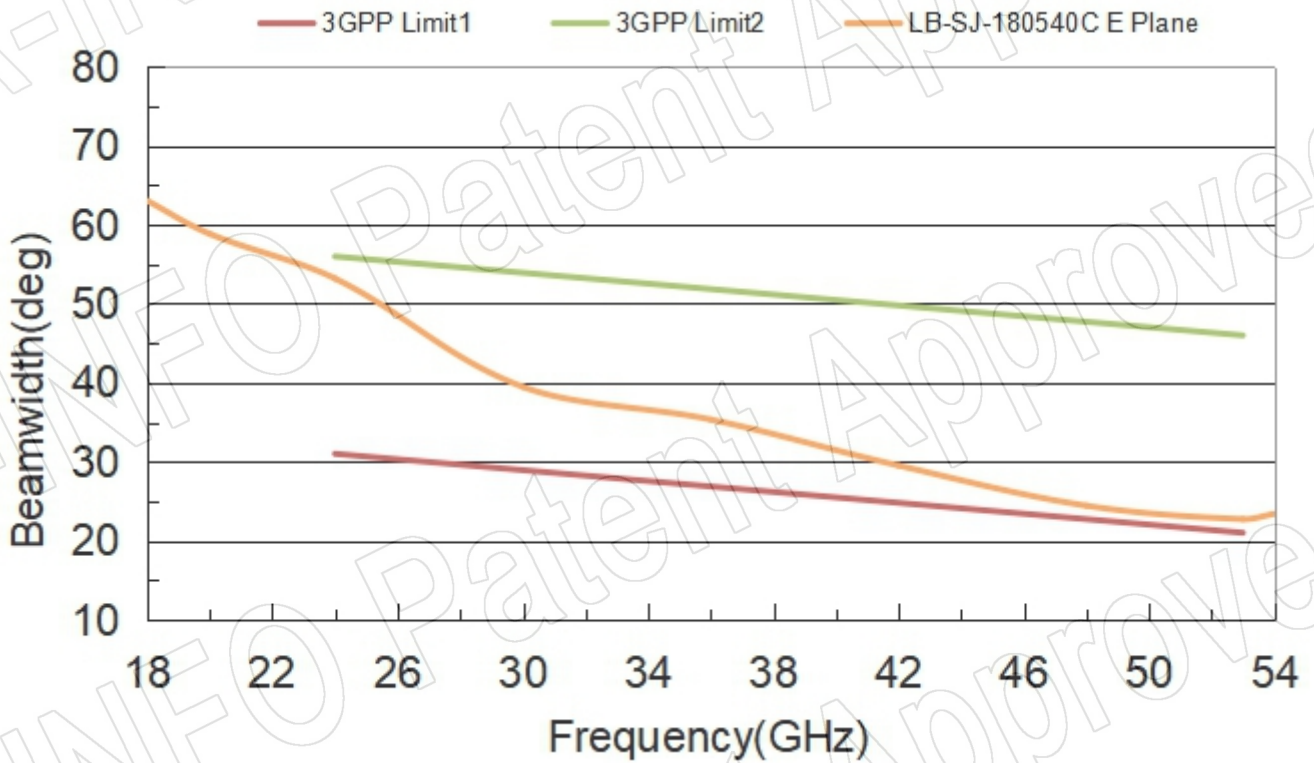


Port-V

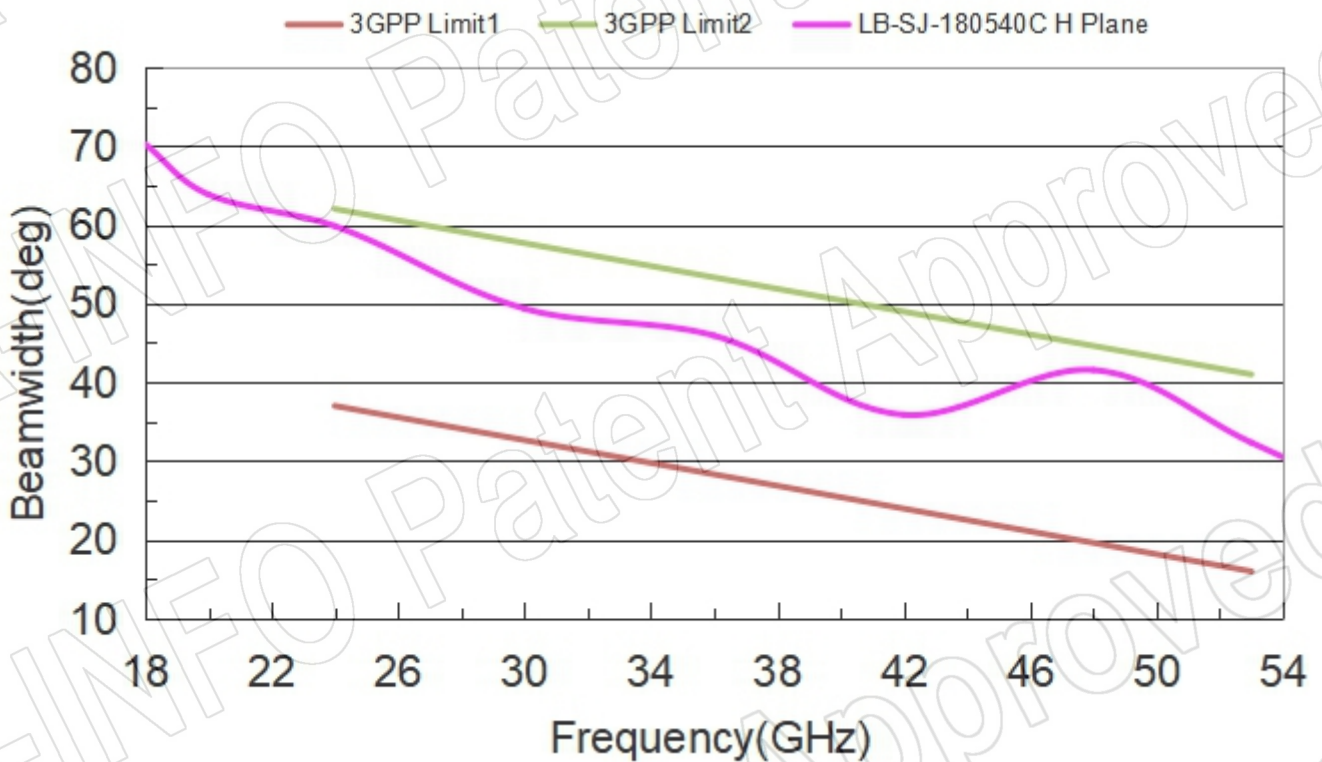


5. Beamwidth

E Plane



H Plane



6. Pattern

